

# Current Transducer/Sensor



## SA3 DC Current Transducer

### FEATURES

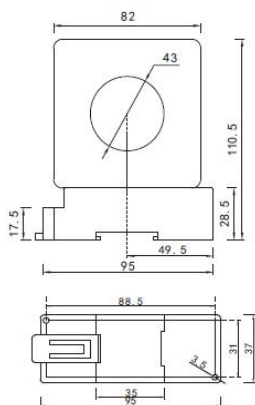
- \*Hall open-loop operational principle, can measure current in any waveform, the output terminal can reflect the waveforms parameters of input current
- \*Controlled by temperature compensation circuit, measure accurately
- \*Perforation input, standard din rail(35mm) mounting
- \*The measuring head can be rotated, it is convenient to thread wire from different angle
- \*It widely applies to all kinds of industrial current online detection system
- \*Dimension(mm):95(L)×37(W)×110.5(H) aperture:43mm

### MODEL

**LF-DI12-** **A** **B** **A3-1.0/** **C**

Model selection1: LF-DI12-15A3-1.0/0~100A  
 Explanation: this product is a 0~100A input range,  
 0~5V tracking output,±12V power supply,  
 A3 style 1-way DC current transducer.

### DIMENSION DIAGRAM



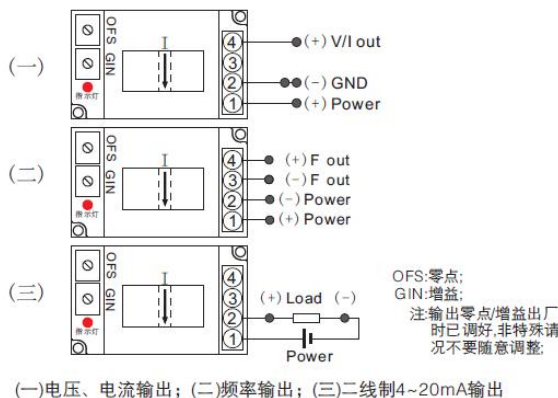
### ELECTRICAL DATA

- \*Standards : IEC688:1992, QB/LF2007-1
- Input Range:0~1000A can choose 0~50A,0~400A etc
- Accuracy Grade:≤1.0%.F.S
- Linearity Degree :Better than 0.2%
- \*Response Time:≤10uS
- \*Frequency: 0~10KHZ
- \*Offset Voltage:≤20mV
- \*Flame Retardancy:UL94-V0
- \*Temperature Characteristics :≤150PPM/°C (0~50°C)
- \*Power Consumption:≤30mA+output current
- \*Isolation Withstanding Voltage AC2.0KV/min\*1mA between input/output/ power
- \*Load Capacity 2 times current continuous, 30 times 1 second
- \*Working Environment: -10 °C ~50 °C ,20%~90% without condensation
- \*Storage Environment: -40 °C ~70 °C ,20%~95% without condensation

### MODEL REMARKS

- A---Output
- B---Power supply
- 1: 0~5V tracking output
- 2: 12V±10%
- 1a: 0~4V tracking output
- 3: 15V±10%
- 3:0~5V
- 4: 24V±15%
- 4:0~20mA
- 5: ±12V±10%
- 5:4~20mA
- C---Current input range
- T: Special output

### CONNECTION DIAGRAM



Xiamen ZT Technology Co., Limited

<http://www.transducersgroup.com>

[sales@zntar.com](mailto:sales@zntar.com)

Jason Zeng

Skype: zntarjason