

Current Transducer/Sensor

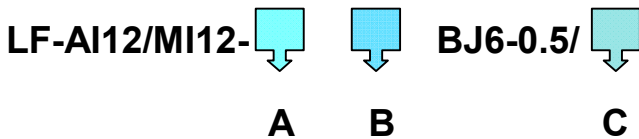


BJ6 DC Leakage Current Sensor

FEATURES

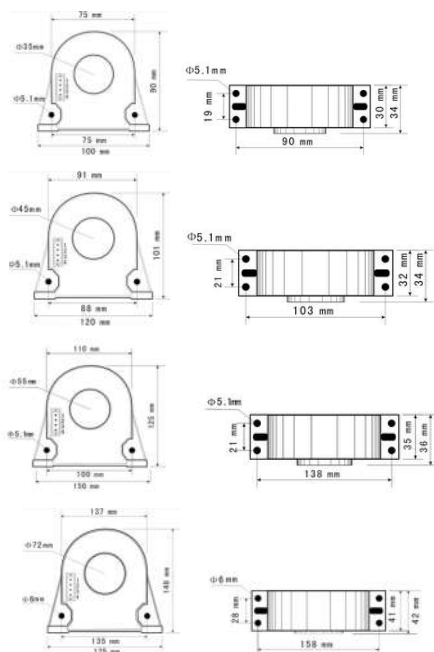
- ***Working principle:** The magnetic modulation principle.
- ***Usage:** Used to measure DC leakage current and all kinds of small DC current
- ***Advantage:** The best performance/price ratio, high stability, small volume, light weight, PCB installation, and perforated input, without the insertion loss
- ***Application:** The leakage monitoring system, line detection, signal system, insulation monitoring, dc high voltage measurement.
- ***Dimension (mm):** BJ7: 175(L)×42(W)×148(H) aperture: 35, 45mm, 55mm, 72mm

MODEL



Model selection1: LF-AI12/MI12-33BJ6-1.0/0~10mA
 Explanation: this product is a 0~10mA input range, 0~5v output, 15V power supply, BJ6 style DC leakage current sensor.

DIMENSION DIAGRAM



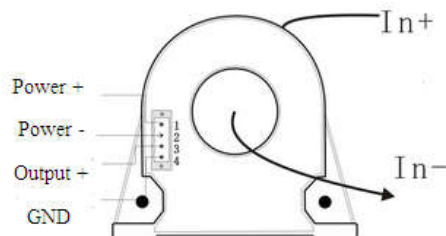
ELECTRICAL DATA

- *Input Range: 5~1200mA can choose 0~5mA, 0~100mA etc
- *Accuracy Grade: $\leq 0.5\%$.F.S
- *Linearity Degree: better than 0.2%
- *Response Time: ≤ 200 ms
- *Offset Current: ≤ 20 uA
- *Temperature Characteristics: ≤ 100 PPM/ $^{\circ}$ C(0~50 $^{\circ}$ C)
- *Power Consumption: ≤ 10 mA
- *Load: Voltage output: 5mA, Current output: 6V
- *Over Load: 10 times of input
- *Isolation Withstanding Voltage: AC3.0KV/min*1mA between input /output/ power
- *Flame Retardancy: UL94-V0
- *Working Environment: -10 $^{\circ}$ C ~70, 20%~90% without condensation
- *Storage Environment: -40 $^{\circ}$ C ~85, -20%~95% without condensation

MODEL REMARKS

A---Output	B---Power supply
2: 0~4V	2: 12V $\pm 10\%$
3: 0~5V	3: 15V $\pm 10\%$
4: 0~20mA	
5: 4~20mA	
T: Special output	C---Current input range

CONNECTION DIAGRAM



Xiamen ZT Technology Co., Limited

<http://www.zntarsensor.com>

sales@zntar.com

Jason Zeng

Skype: zntarjason