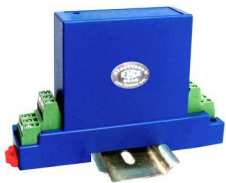


Current Transducer/Sensor

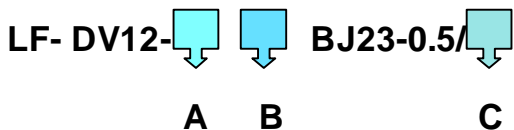


BJT3 DC Voltage Transducer

FEATURES

- ***Working principle:** Linear photoelectric isolating or demodulation principle
- ***Usage:** Used to measure DC Voltage, especially for power frequency 50 Hz sine wave DC Voltage
- ***Advantage:** The best performance/price ratio, power loss and small volume, light weight, easy installation, perforated input, without the insertion loss.
- ***Application:** Widely used for measuring DC Voltage
- ***Dimension (mm):** BJT3: 99(L) ×24(W) ×65(H)

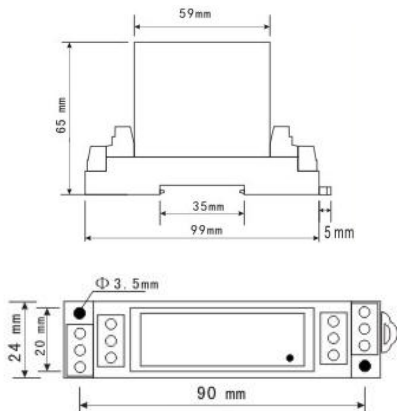
MODEL



Model selection1:LF- DV12-33 BJT3-1.0/10A

Explanation: this product is a 10A input range, 0-5V, 15V power supply, BJT3 style DC Voltage Transducer

DIMENSION DIAGRAM



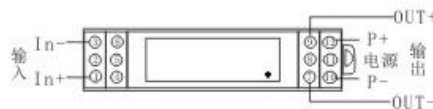
ELECTRICAL DATA

- * Input Range: 5V~1200V can choose 5V, 15V etc
- *Accuracy Grade: $\leq 0.5\%$.F.S
- *Linearity Degree: better than 0.1%
- *Response Time: $\leq 250\text{mS}$
- *Offset Voltage: $\leq 10\text{mV}$
- *Frequency Range: 20~5KHz
- *Temperature Characteristics: $\leq 100\text{PPM}/^\circ\text{C}$ (0~50 $^\circ\text{C}$)
- *Power Consumption: $\leq 20\text{mA}$
- *Load: Voltage output: 5mA, Current output:6V
- *Over Load: 30 times of input
- *Isolation Withstanding Voltage:AC3.0KV/min* 1mA between input /output/ power
- *Flame Retardancy:UL94-V0
- *Working Environment:-10 $^\circ\text{C}$ ~70, 20%~90% without condensation
- *Storage Environment:-40 $^\circ\text{C}$ ~85, -20%~95% without condensation

MODEL REMARKS

A---Output	B---Power supply
2: 0~4V	1: 5V
3: 0~5V	2:12V $\pm 10\%$
4: 0~20mA	3:15V $\pm 10\%$
5: 4~20mA	OEM
T: Special output	C---Current input range

CONNECTION DIAGRAM



Xiamen ZT Technology Co., Limited