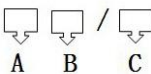


Current Transducer/Sensor



SETF4 3 phase 4 wire AC voltage Transducer

MODEL REMARKS

SET - F4 - 

A: Output	B: Power	C: Input Range
3 = 5V DC 5 = 4-20mA DC 8 = 10V DC	2 = +12V 3 = +15V 4 = +24V	0-□□□ V AC = AC input

Example 1

SET-F3-54/0-500V AC

Input: 0-500V, AC,

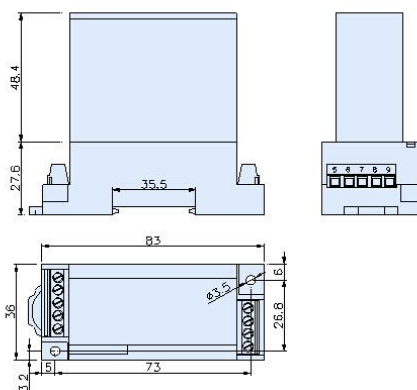
Output: 4-20mA DC

Power: +24V

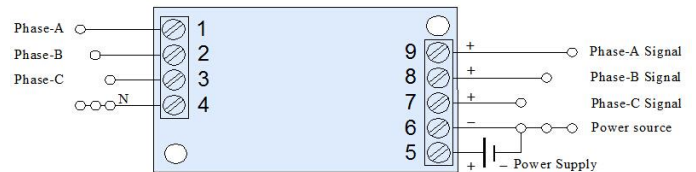
ELECTRICAL DATA

- * Standards : QB/440304K0831-2014
- * Input Range : 0-75mV...600V
- * Accuracy Grade: 0.5%.
- * Linearity : 0.5%
- * Response Time: 250mS
- * Power Consumption : 400-500mW
- * Insulation Voltage: 2.5KV
- * Overload Capacity: 2 times of Rated Voltage
- * Operating Temperature: -15~60°C
- * Flame Retardancy: UL94-V0
- * Unit Weight: 200g

DIMENSION DIAGRAM



CONNECTION DIAGRAM



Xiamen ZT Technology Co., Limited

<http://www.transducersgroup.com>

sales@zntar.com

Jason Zeng

Skype: zntarjason